



SCHÜTZINGER



Electrical Connectors for test and measurement

Ø 2.4mm Programme

2012-S-302B



Company profile

The company Gerhard Schützinger Labor-Schütz GmbH, Stuttgart was established in 1949 by Gerhard Schützinger (born in 1921).

Today, production comprises a wide range of standard and special products for measuring apparatus and fittings, covering practically every form of application in the field of electrical laboratory and testing equipment. Specific customer requirements are analysed by creative employees and efficiently realized. Our team of highly qualified experts helps our customers to secure advantages based on more than 50 years of experience

to solve their tasks. Continuity in the development of our products and in dealings with our customers guarantee a stable and reliable partnership.

In 1993 responsibility for the company was transferred to the managing partners Michael and Bernhard Schützinger, the company founder's sons. Both have many years of active experience in the company, Michael since 1976 and Bernhard since 1978.

Labor-Schütz products are manufactured with high precision, using materials of high quality. At the design stage, great value is set on functional suitability, ergonomics and excellent form. Consistent superior quality is attained as the result of modern production methods and continual controls. Furthermore, importance is always attached to the use of environment-friendly raw materials. Products relevant to safety are tested by the trade association and are officially approved of. A further field of activity is the production of special plug connectors for the low-voltage lighting sector.

Alongside the Labor-Schütz range of products, we have successfully operated as an independent commercial agency since 1950, representing reputable German companies of the electrical industry.

Main characteristics and advantages

Single-pole miniature plug connectors for the transmission of voltages, currents and electrical measurement data.

High-grade materials such as spring brass and silver-plated or nickel-plated surfaces guarantee excellent contact reliability, low contact resistance and prevent corrosion. These universal functional articles thus comply with the high standards required in laboratories and in the field of metrology.

Compact assembly

Systems with ø 2.4 mm plug pins enable reliable plug connections within the smallest of areas and take up minimum space. This is of advantage particularly in the field of microelectronics. Crush-proof insulation sleeves mean that these plug connectors stand up to considerable loads.

Universal

Compatibility with the ø 2 mm and the ø 4 mm ranges is achieved by simple use of our adapters.

Important note

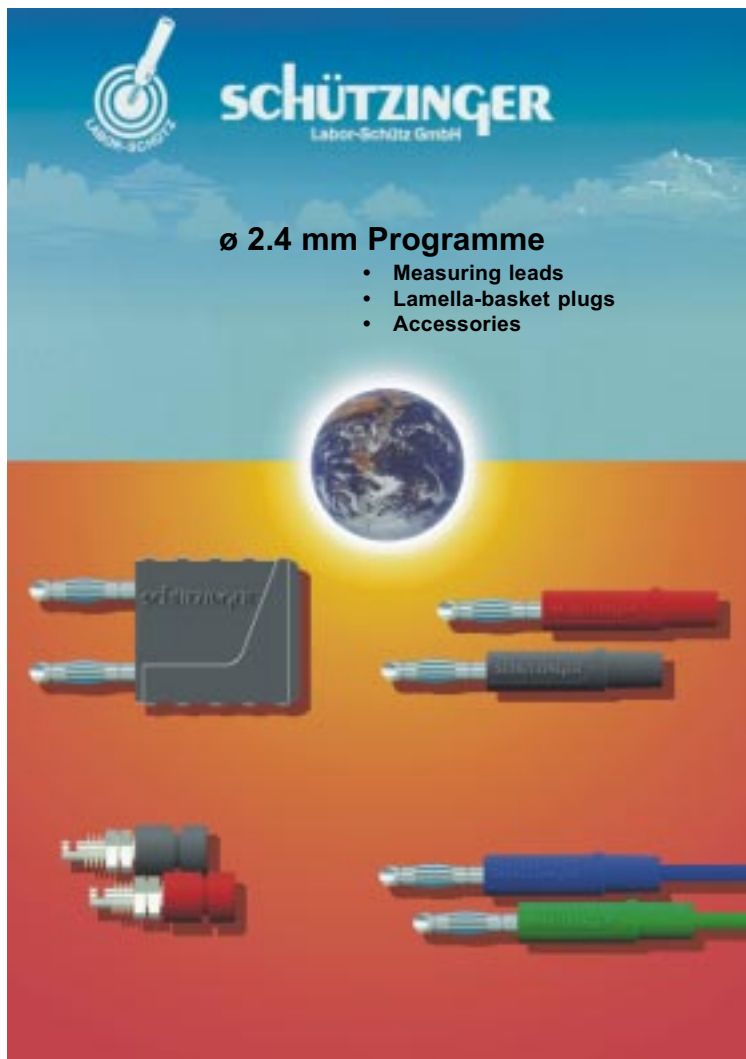
This miniature laboratory programme with insulated grasp is designed for functional handling and safest operation for the user.

In this respect we refer to the VDE regulations VDE 0100, VDE 0105 and the regulations for the prevention of accidents VBG 4 of the trade association for precision engineering and electro-technics.

The programme is intended for use with extra-low voltages.

Max. voltage for direct contact with bare parts:

30 V_{AC} / 60 V_{DC}



ø 2.4

General information

In the case of special applications, verification whether products listed in this catalogue comply with regulations other than those stated is the responsibility of the user.

Reference to other laboratory plug connector series

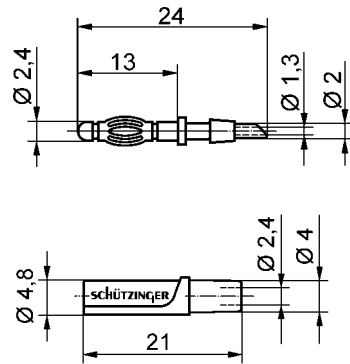
Our ø 2 mm programme is to be found **page 1**

Our ø 4 mm programme is to be found **page 17**

Touchproof types for 1000V, CAT III

Our ø 4 mm safety laboratory programme with rigid sleeve and sliding sleeve is to be found **page 45**

If you have any queries regarding application possibilities, technical data or special designs we will gladly advise you.



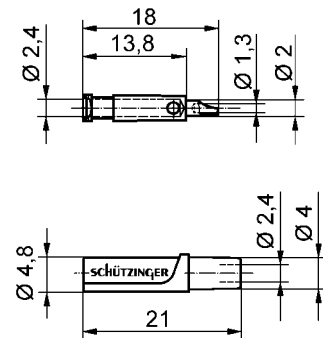
Lamella-basket plug

- straight, with soldering cup for leads up to 0.5 mm²
- with sleeve, unassembled

order no. FK 04 L / ..(colour)

- contact part **nickel-plated**
- sleeve PA 6.6 (Polyamid)

colours: see table



Coupler

- with soldering cup for leads up to 0.5 mm²
- with sleeve, unassembled

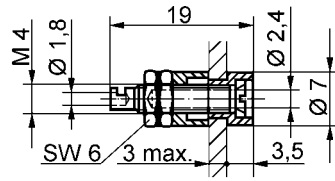
order no. KU 04 L / ..(colour)

- contact part **nickel-plated**
- sleeve PA 6.6 (Polyamid)

colours: see table

General information		Technical data				
order no.	colours	terminal	transition resistance	rated voltage	rated current	operating temperature
FK 04 L / ..(colour) contact parts nickel-plated	black red blue	soldering 0.5 mm ²	3 mΩ	30 V _{AC} 60 V _{DC}	12 A	- 25 °C ... + 90 °C
KU 04 L / ..(colour) contact parts nickel-plated	yellow green	soldering 0.5 mm ²	3 mΩ	30 V _{AC} 60 V _{DC}	12 A	- 25 °C ... + 90 °C

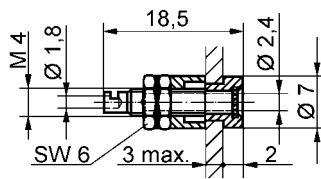
other colours and platings on request



Socket
- with insulation

order no. IBU 24 / ..(colour)
- contact part **silver-plated**
- insulation PA 6 (Polyamid)
- soldering cup up to 0.75 mm²
- hole ø 5 mm

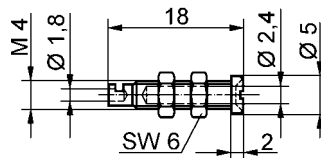
colours: see table



Socket
- with moulded insulation

order no. IBU 2413 / ..(colour)
- contact part **nickel-plated**
- insulation PA 6 (Polyamid)
- soldering cup up to 0.75 mm²
- hole ø 5 mm

colours: see table

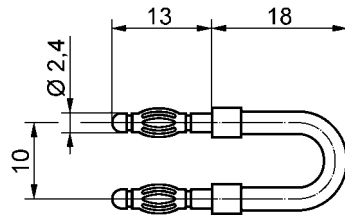


Socket
- without insulation

order no. BU 24
- contact part **silver-plated**
- soldering cup up to 0.75 mm²
- hole ø 4 mm

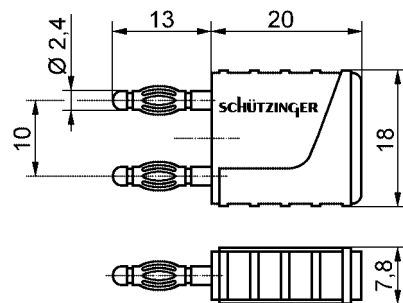
General information		Technical data				
order no.	colours	terminal	transition resistance	rated voltage	rated current	operating temperature
IBU 24 / ..(colour) contact parts silver-plated	black red blue	soldering 0.75 mm ²	3 mΩ	30 VAC 60 VDC	12 A	- 25 °C ... + 90 °C
IBU 2413 / ..(colour) contact parts nickel-plated	yellow green	soldering 0.75 mm ²	3 mΩ	30 VAC 60 VDC	12 A	- 25 °C ... + 90 °C
BU 24 contact parts silver-plated	—	soldering 0.75 mm ²	3 mΩ	30 VAC 60 VDC	12 A	- 40 °C ... + 110 °C

other colours and platings on request



Connecting plug
- without insulation

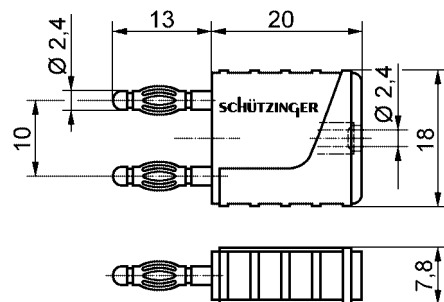
order no. KURZ 10 - 2,4
- contact part **nickel-plated**



Connecting plug
- moulded insulation

order no. KURZ 10 - 2,4 IG / .. (colour)
- contact part **nickel-plated**
- insulation PA 6.6 (Polyamid)

colours: see table



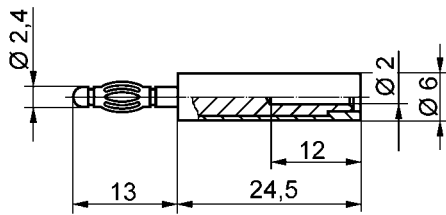
Connecting plug
- moulded insulation
- with rear socket Ø 2.4 mm

order no. KURZ 10 - 2,4 IG MB / .. (colour)
- contact part **nickel-plated**
- insulation PA 6.6 (Polyamid)

colours: see table

General information		Technical data				
order no.	colours	terminal	transition resistance	rated voltage	rated current	operating temperature
KURZ 10-2,4 contact part nickel-plated	—	—	3 mΩ	30 V _{AC} 60 V _{DC}	12 A	- 25 °C ... + 90 °C
KURZ 10-2,4 IG / ..(colour) contact part nickel-plated	black	—	3 mΩ	30 V _{AC} 60 V _{DC}	12 A	- 25 °C ... + 90 °C
KURZ 10-2,4 IG MB / ..(colour) contact part nickel-plated	black	rear socket	3 mΩ	30 V _{AC} 60 V _{DC}	12 A	- 40 °C ... + 110 °C

other colours and platings on request



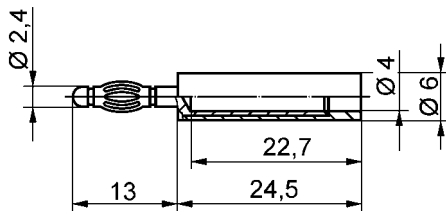
Adapter

- for connecting ø 2.4 mm - system to ø 2 mm - system

order no. A 24 - 20 / ..(colour)

- contact part **nickel-plated**
- insulation PA 6.6 (Polyamid)

colours: see table



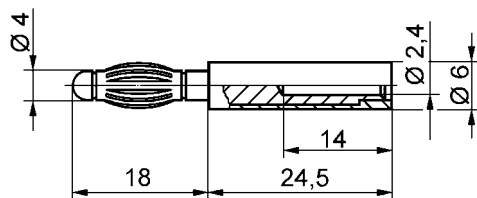
Adapter

- for connecting ø 2.4 mm - system to ø 4 mm - system

order no. A 24 - 40 S / ..(colour)

- contact part **nickel-plated**
- insulation PA 6.6 (Polyamid)

colours: see table



Adapter

- for connecting ø 4 mm - system to ø 2.4 mm - system

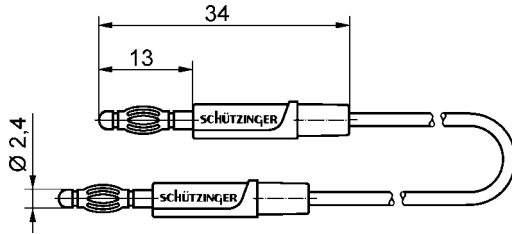
order no. A 40 - 24 / ..(colour)

- contact part **nickel-plated**
- insulation PA 6.6 (Polyamid)

colours: see table

General information		Technical data				
order no.	colours	terminal	transition resistance	rated voltage	rated current	operating temperature
A 24 - 20 / .. (colour) contact part nickel-plated	black red	socket	6 mΩ	30 V _{AC} 60 V _{DC}	10 A	- 25 °C ... + 90 °C
A 24 - 40 S / .. (colour) contact part nickel-plated	black red	socket	6 mΩ	30 V _{AC} 60 V _{DC}	12 A	- 25 °C ... + 90 °C
A 40 - 24 / .. (colour) contact part nickel-plated	black red	socket	6 mΩ	30 V _{AC} 60 V _{DC}	12 A	- 25 °C ... + 90 °C

other colours and platings on request



Measuring lead

- with 2 lamella-basket plugs FK 04 L / .. (colour)
and highly flexible leads

order no. MFK 04 / 0,5 / ..(length) / ..(colour)

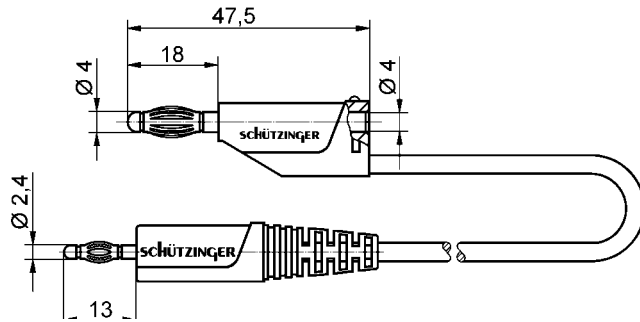
- lead 0.5 mm²
PVC insulation
- contact parts **nickel-plated**
- sleeve PA 6.6 (Polyamid)

colours: see table

Ø 2.4

General information			Technical data				
order no.	length	colours	leads	transition resistance	rated voltage	rated current	operating temperature
							sleeve -30 °C ... + 110 °C PVC-insulated lead -10 °C ... + 80 °C
MFK 04 / 0,5 / ..(length) / ..(colour)	10 cm	black	PVC	3 mΩ	30 V _{AC}	12 A	- 10 °C ... + 80 °C
contact parts nickel-plated	25 cm	red	0.5 mm ²	5 mΩ	60 V _{DC}		
	50 cm	blue		9 mΩ			
	100 cm	yellow		17 mΩ			
		green					

other colours, lengths and platings on request



Adapter lead

- with 1 lamella-basket plug FK 2310 L / .. (colour) and
1 lamella-basket plug FK 15 L / 1 / .. (colour)
with highly flexible lead

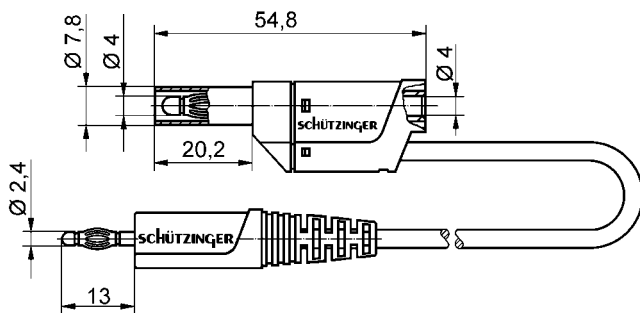
order no. AL 2220 / 1 / ..(length) / ..(colour)
- lead 1 mm²

- contact parts

colours:

PVC-double-
insulation
nickel-plated

see table



Adapter lead

- with 1 lamella-basket plug FK 2310 L / .. (colour) and
1 lamella-basket plug SFK 40 L / 1 / .. (colour)
with highly flexible lead

order no. AL 2221 / 1 / ..(length) / ..(color)
- lead 1 mm²

- contact parts

colours:

PVC-double-
insulation
nickel-plated

see table

General information			Technical data				
order no.	length	colours	leads	transition resistance	rated voltage	rated current	sleeve -30 °C ... + 110 °C PVC-insulated lead -10 °C ... + 80 °C
							operating temperature
AL 2220 / 1 / ..(length) / ..(colour) contact parts nickel-plated	100 cm	black red	PVC 1 mm ²	17 mΩ	30 V _{AC} 60 V _{DC}	12 A	- 10 °C ... + 80 °C
AL 2221 / 1 / ..(length) / ..(colour) contact parts nickel-plated	100 cm	black red	PVC 1 mm ²	17 mΩ	30 V _{AC} 60 V _{DC}	12 A	- 10 °C ... + 80 °C

other colours, lengths and platings on request



Notes

Ø 2.4

Order



SCHÜTZINGER
Labor - Schütz GmbH

Please fax this orderform to:



SCHÜTZINGER
Labor - Schütz GmbH

Eichwiesenring 6

**70567 Stuttgart
Germany**

Fax-No.: +711/7 15 46 40

Company: | _____

Street: | _____

City: | _____

Country: | _____

Telefon: () _____

Telefax: () _____

Deliver to: see above
 as follows:

Company: | _____

Street: | _____

City: | _____

Purchase-No.: _____

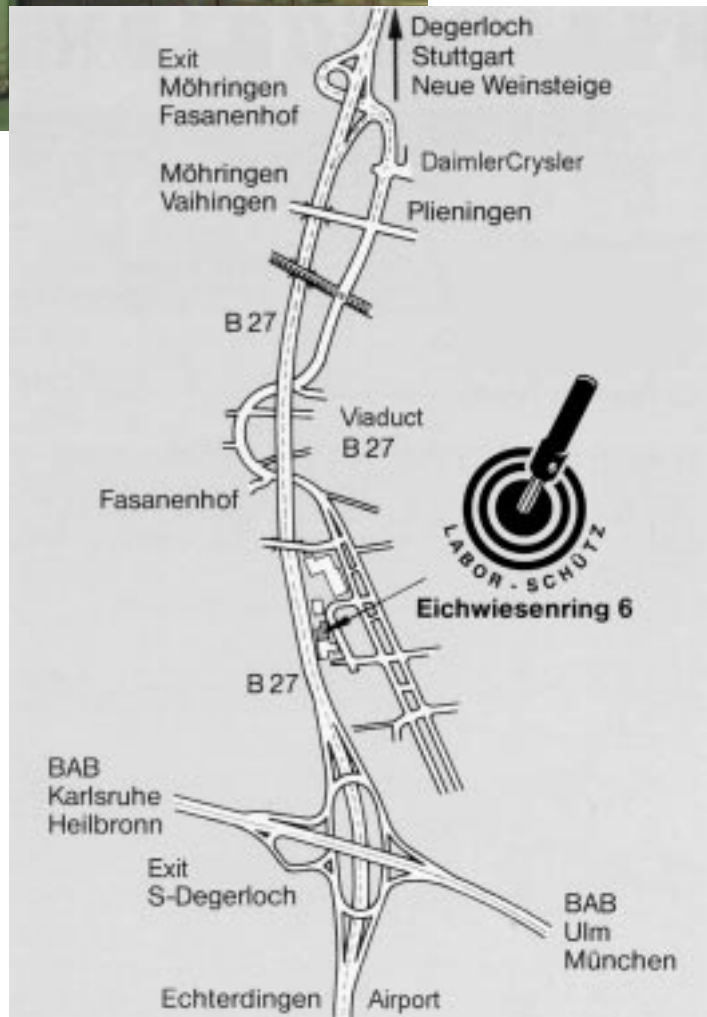
Date: _____

Signature _____

Qty.	Description	Order-No.	Price

Deliver in: Week: _____

Part shipment: allowed
 not allowed



SCHÜTZINGER

Gerhard Schützing

Labor-Schütz GmbH

Eichwiesenring 6

D-70567 Stuttgart

Germany

Phone +49 (0) 711/715 46-0

Fax +49 (0) 711/715 46-40

info@schuetzinger.de

www.schuetzinger.de